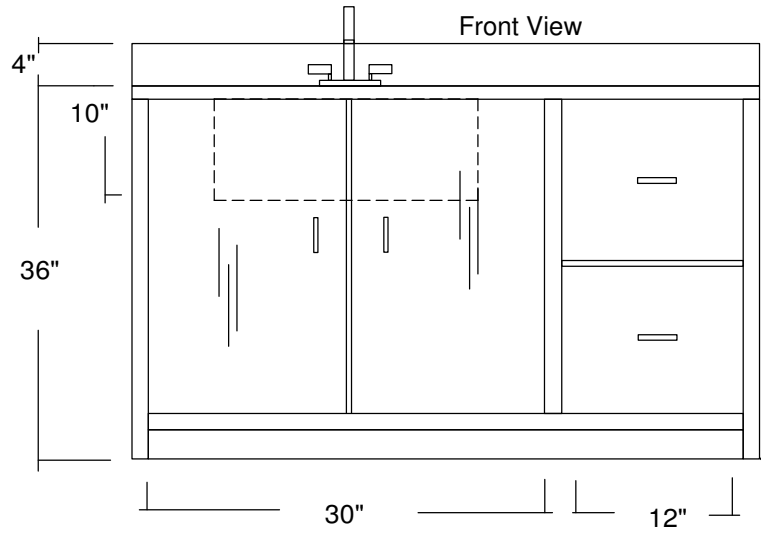


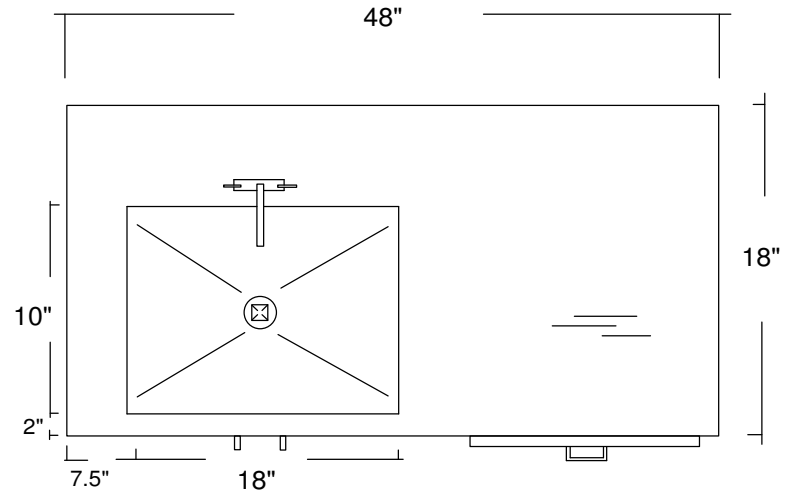


Front View

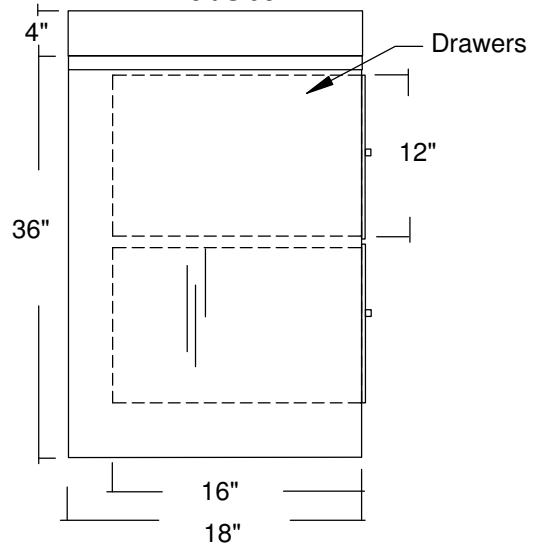


Recessed SS Bullet Feet

Top View



Left Side View



	Approvals		Date		GAT-TBL-SNK-184836-1-BS-ST
	Drawn By J. Lamb				
Approved By N/A					
PROPRIETARY <small>THIS DOCUMENT AND THE DATA DISCLOSED HEREIN OR HERewith IS NOT TO BE REPRODUCED, USED OR OTHERWISE DISCLOSED IN WHOLE OR IN PART TO ANYONE WITHOUT THE WRITTEN AUTHORIZATION FROM G2 AUTOMATED TECHNOLOGIES, LLC</small>		TITLE Lab Sink Table 18"Dx48"Wx36"H 10"Dx18"Wx10"D Sink 2 Drawers 5 Double Doors		Material: SS 304 #3 TUBING AND SHEET	
A4		SIZE N/A	CAGE CODE	DWG NO GAT-TBL-SNK-2499-OVERALL	REV
		SCALE N.T.S.			SHEET

