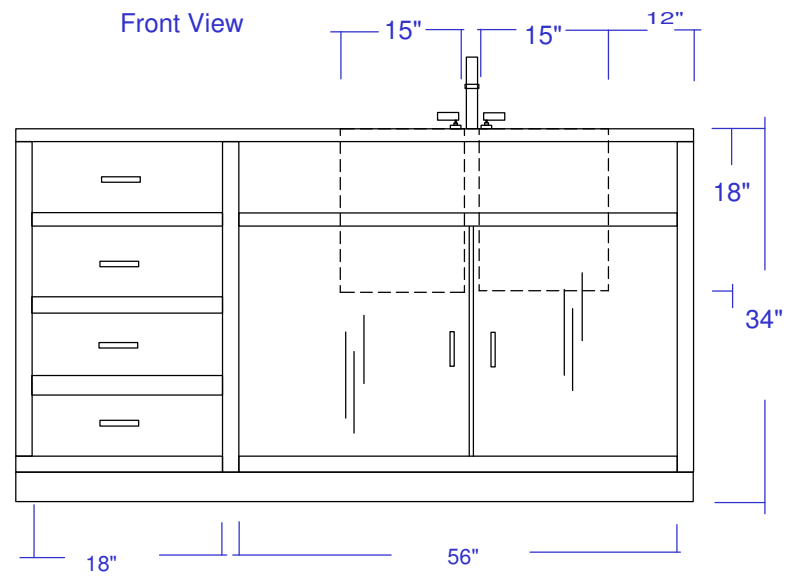
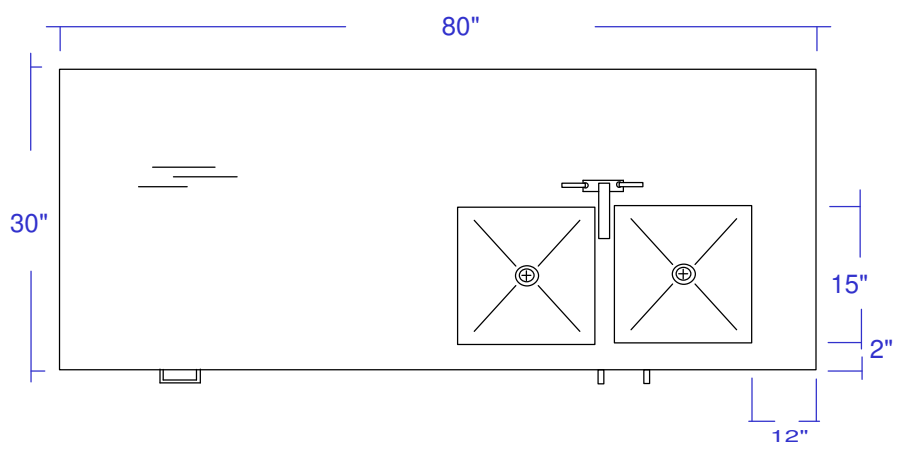




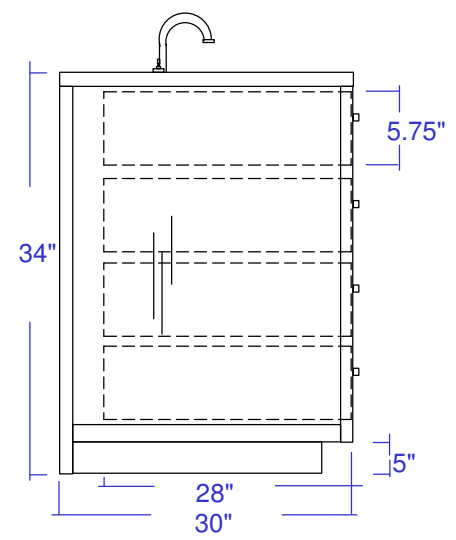
Front View



Top View




Left Side View



Cabinet will have no back panel to allow for plumbing access

Approval: _____
 Date: _____

 <p>PROPRIETARY <small>THIS DOCUMENT AND THE DATA DISCLOSED HEREIN OR HERewith IS NOT TO BE REPRODUCED, USED OR OTHERWISE DISCLOSED IN WHOLE OR IN PART TO ANYONE WITHOUT THE WRITTEN AUTHORIZATION FROM G2 AUTOMATED TECHNOLOGIES, LLC</small></p>	Approvals Drawn By J. Lamb Approved By N/A	Date 12/6/11	GAT-LAB-CAB-308034-2-SS-ST	
	TITLE SS Lab Cabinet 30"Dx80"Wx34"H Double Cabinet Doors Double Sink 15"Wx15"Dx18"H		Material: SS 304 #3 16 Ga.	
SIZE N/A	CAGE CODE	DWG NO	REV	
SCALE Not To Scale		SHEET		

